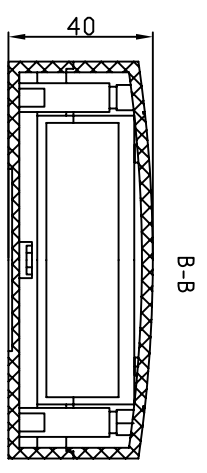
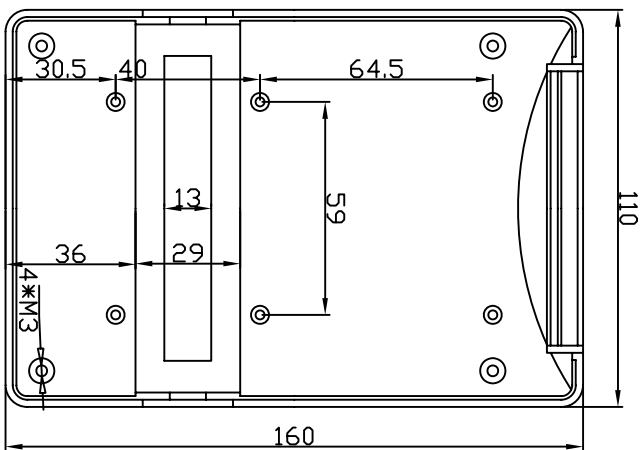
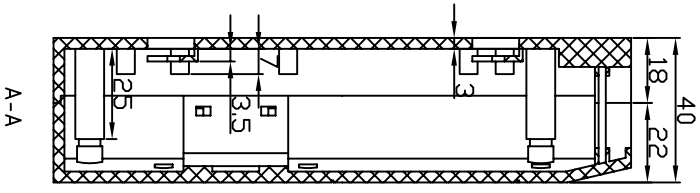
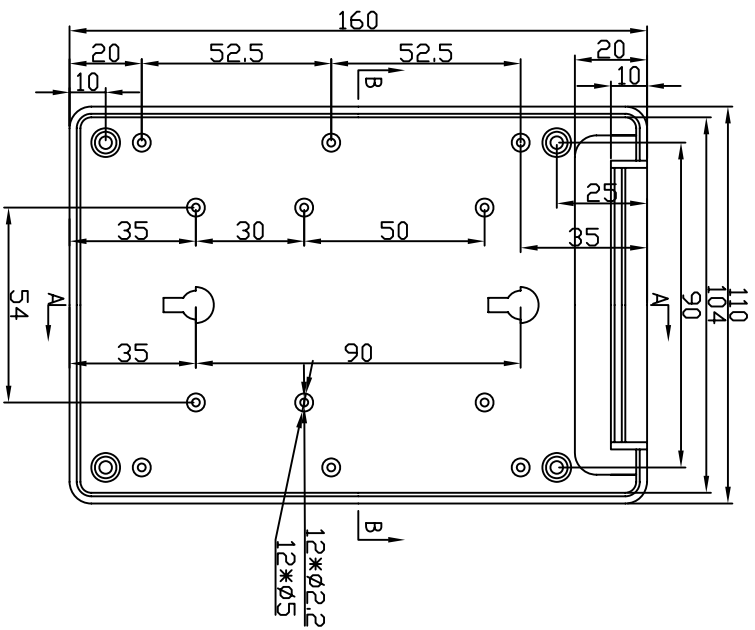


REVISION RECORD				
REV	ECD	DESCRIPTION	DRFT	CHKD



DETACHED LISTS			
 FIRST ANGLE PROJECTION	ANGLE ± 5° ± ±	TOLERANCES EXCEPT AS NOTED MM 0.1 ± 0.3 0.01 ± 0.2 0.00 ± 0.1	DRFTD DATE CHKD DATE MFD DATE APPVL DATE
FINISH:	MATERIAL: ABS	QTY: 1	DATE
SCALE: 1:1	TITLE: PH002	DRAWING NO. PH002	DATE
DD NOT SCALE DRAWING	EVEREST WWW.EVERESTCASE.COM	/PART NO. 00	DATE
SHEET 1 OF 1	SIZE A4	REV	REV