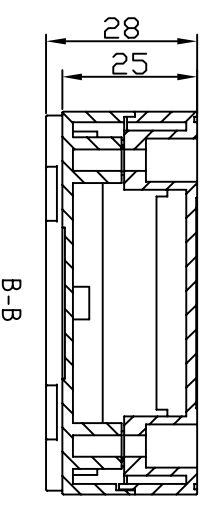
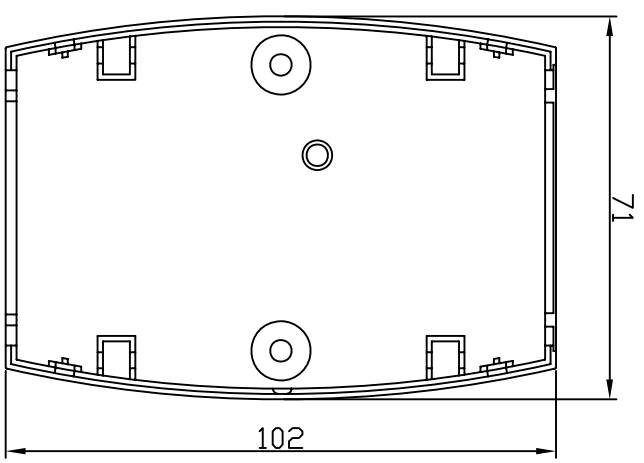
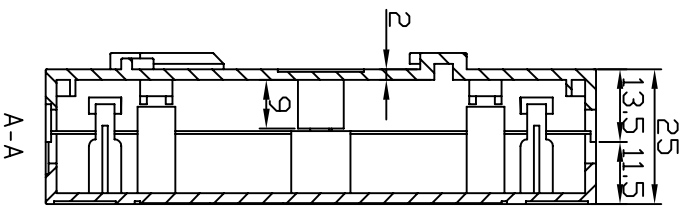
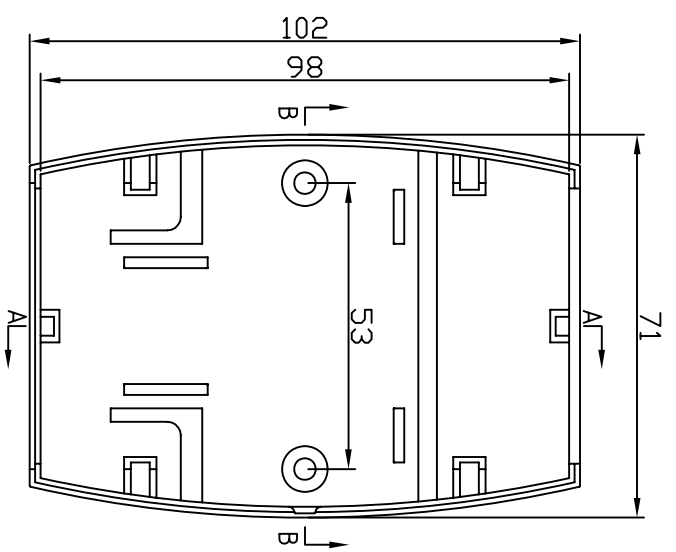


REVISION RECORD				
REV	ECD	DESCRIPTION	DRFT	CHKD



DETACHED LISTS			
 THIRD ANGLE PROJECTION	 DIM (INCH)	 DIM	 DIM
	TOLERANCES EXCEPT AS NOTED		
.0 ± 0.3 .00 ± 0.2 .000 ± 0.1	± ± ±	± ± ±	± ± ±
ANGLES ± 5°	MATERIAL: ABS	QTY: 1	FINISH:
DRIVING NO. PH022 /PART NO. 00	TITLE: PH022	DATE:	DATE:
DID NOT SCALE DRAWING	SCALE: 1:1	DATE:	DATE:
SHEET 1 OF 1	SIZE A4	REV	REV

埃弗勒斯
EVEREST
WWW.EVERESTCASE.COM