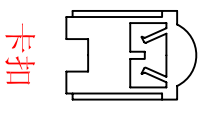
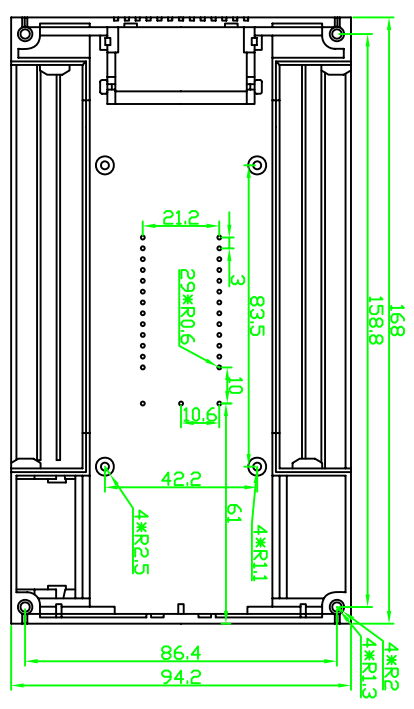
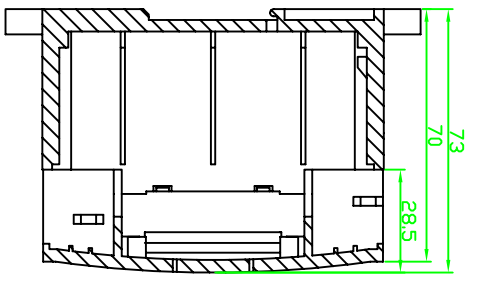
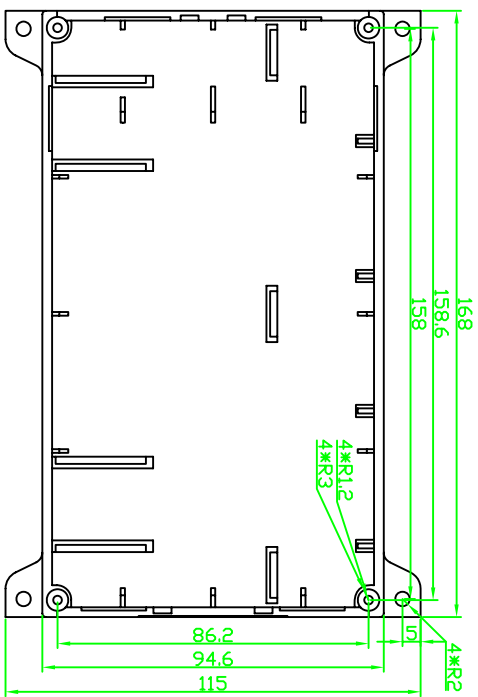


REVISION RECORD				
REV	ECD	DESCRIPTION	DRFT	CHKD



DETACHED LISTS		DRFTD	DATE
MM	0.1 ± 0.3	CHKD	DATE
MM	.00 ± 0.2	MFD	DATE
MM	0.00 ± 0.1	APPVL	DATE
ANGLES ± 5°		MATERIAL: ABS	
FIRST ANGLE PROJECTION		QTY: 1	
SCALE: 1:1		FINISH:	
DD NOT SCALE DRAWING		DRAWING NO: PLC010	
SHEET 1 OF 1		/PART NO: 00	
		SIZE: A4	
		REV:	


EVEREST
 WWW.EVERESTCASE.COM

TITLE
PLC010