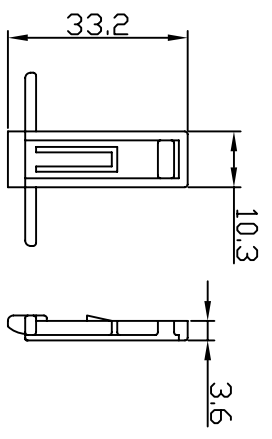
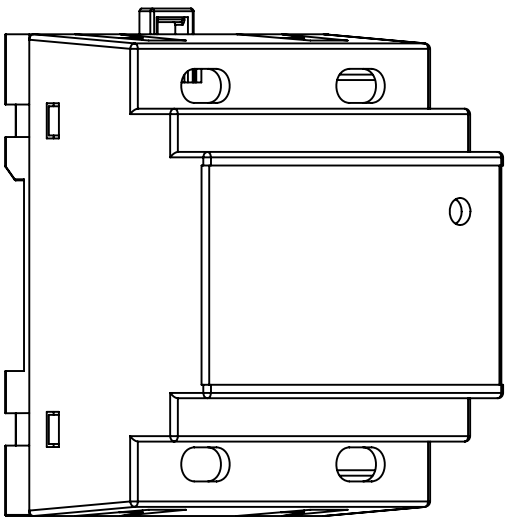
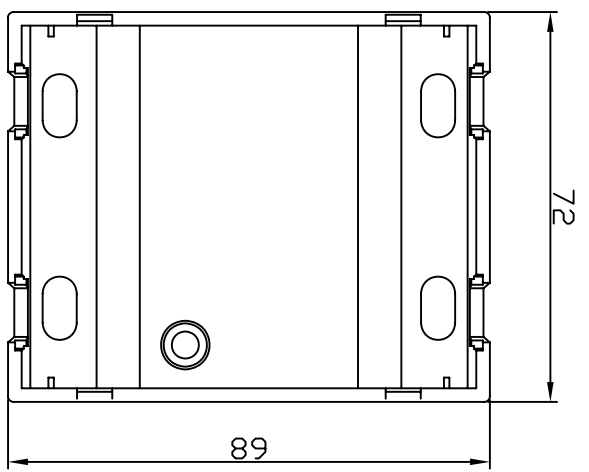
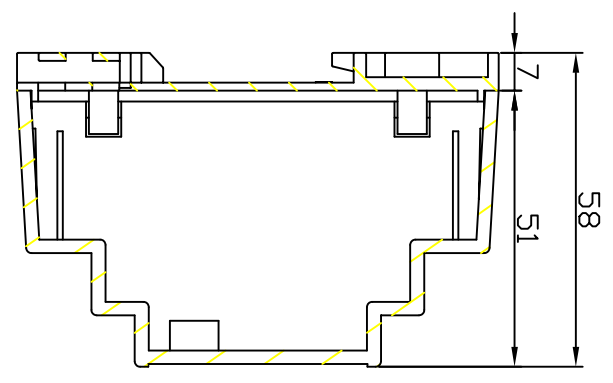
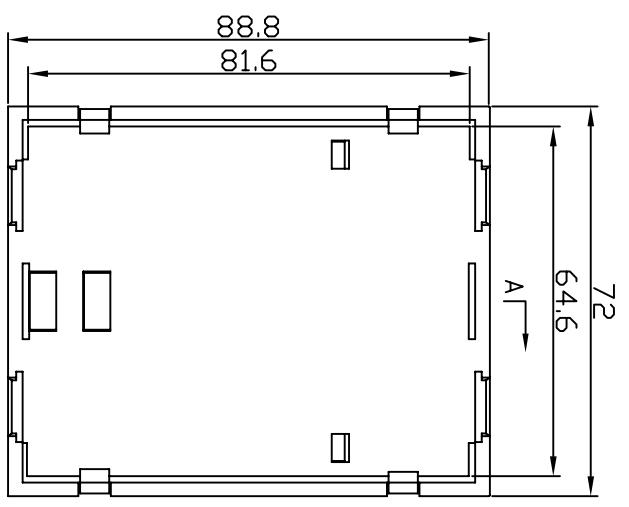


REVISION RECORD				
REV	ECD	DESCRIPTION	DRFT	CHKD



DETACHED LISTS		DATE	DATE
MM	MM	DATE	DATE
0.1 ± 0.3	±	DATE	DATE
0.05 ± 0.2	±	DATE	DATE
0.05 ± 0.1	±	DATE	DATE
ANGLES ± 5°	±	DATE	DATE
FINISH:	SCALE: 1:1	DATE	DATE
PLC015	AL	DATE	DATE
PLC015	AL	DATE	DATE
PLC015	AL	DATE	DATE

**埃弗勒斯**  
**EVEREST**  
WWW.EVERESTCASE.COM

TITLE  
**PLC015**

DRAWING NO. PLC015  
/PART NO. 00  
DD NOT SCALE DRAWING  
SHEET 1 OF 1