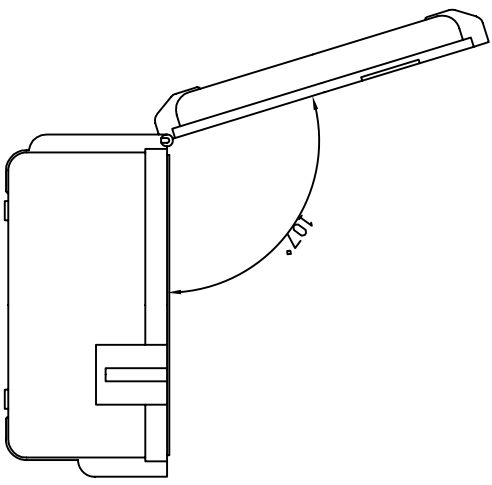
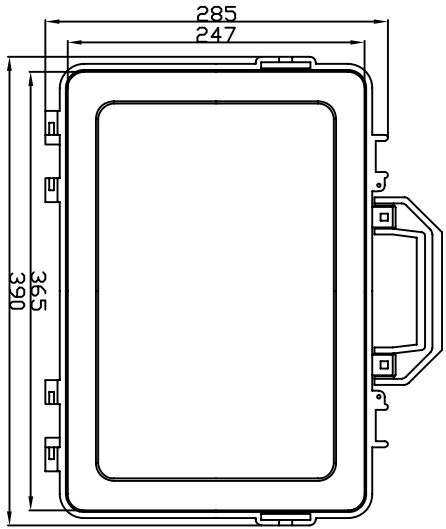
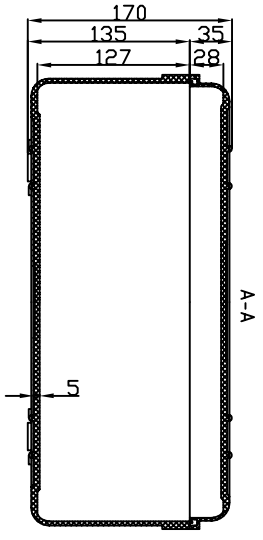
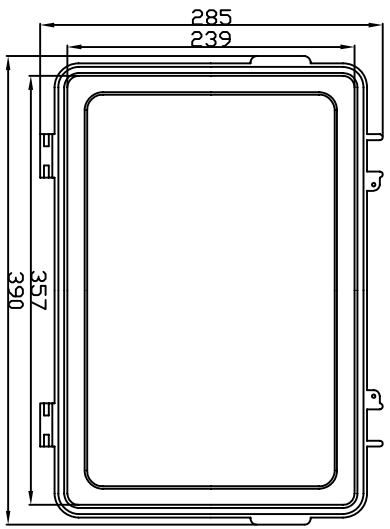
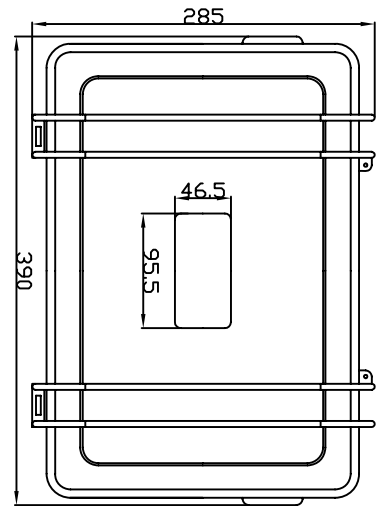
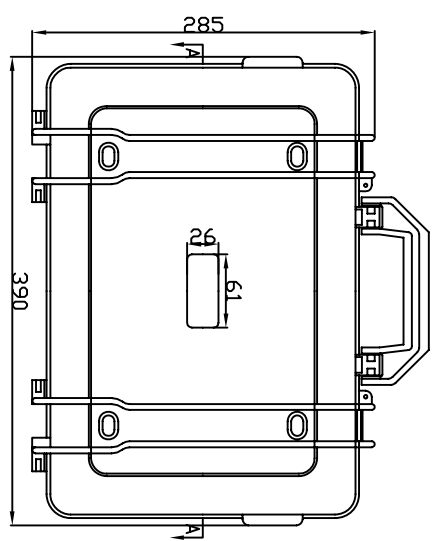


REVISION RECORD				
REV	ECD	DESCRIPTION	DRFT	CHKD



DETACHED LISTS																						
<table border="1"> <tr> <th>INCH</th> <th>MILL</th> </tr> <tr> <td>0.00 ± 0.03</td> <td>±</td> </tr> <tr> <td>0.01 ± 0.02</td> <td>±</td> </tr> <tr> <td>0.02 ± 0.01</td> <td>±</td> </tr> </table>	INCH	MILL	0.00 ± 0.03	±	0.01 ± 0.02	±	0.02 ± 0.01	±	<table border="1"> <tr> <th>DATE</th> <th>DATE</th> <th>DATE</th> </tr> <tr> <td> </td> <td> </td> <td> </td> </tr> <tr> <td> </td> <td> </td> <td> </td> </tr> </table>	DATE	DATE	DATE										
INCH	MILL																					
0.00 ± 0.03	±																					
0.01 ± 0.02	±																					
0.02 ± 0.01	±																					
DATE	DATE	DATE																				
<table border="1"> <tr> <th>DRFTD</th> <th>CHKD</th> <th>MFD</th> <th>APPL</th> </tr> <tr> <td> </td> <td> </td> <td> </td> <td> </td> </tr> <tr> <td> </td> <td> </td> <td> </td> <td> </td> </tr> </table>	DRFTD	CHKD	MFD	APPL									<table border="1"> <tr> <th>DATE</th> <th>DATE</th> <th>DATE</th> </tr> <tr> <td> </td> <td> </td> <td> </td> </tr> <tr> <td> </td> <td> </td> <td> </td> </tr> </table>	DATE	DATE	DATE						
DRFTD	CHKD	MFD	APPL																			
DATE	DATE	DATE																				
<table border="1"> <tr> <th>FINISH</th> <th>SCALE</th> </tr> <tr> <td> </td> <td>1:1</td> </tr> </table>	FINISH	SCALE		1:1	<table border="1"> <tr> <th>QTY</th> <th>MATERIAL</th> </tr> <tr> <td> </td> <td>ABS</td> </tr> </table>	QTY	MATERIAL		ABS													
FINISH	SCALE																					
	1:1																					
QTY	MATERIAL																					
	ABS																					
<table border="1"> <tr> <td> <b>埃弗勒斯</b>  <b>EVEREST</b>            WWW.EVERESTCASE.COM         </td> <td> <b>EVEREST</b>            WWW.EVERESTCASE.COM         </td> </tr> </table>		<b>埃弗勒斯</b> <b>EVEREST</b> WWW.EVERESTCASE.COM	<b>EVEREST</b> WWW.EVERESTCASE.COM																			
<b>埃弗勒斯</b> <b>EVEREST</b> WWW.EVERESTCASE.COM	<b>EVEREST</b> WWW.EVERESTCASE.COM																					
<table border="1"> <tr> <td>           TITLE  <b>EPC013-2</b> </td> <td>           DRAWING NO. <b>EPC013-2</b>            /PART NO. <b>00</b> </td> </tr> </table>		TITLE <b>EPC013-2</b>	DRAWING NO. <b>EPC013-2</b> /PART NO. <b>00</b>																			
TITLE <b>EPC013-2</b>	DRAWING NO. <b>EPC013-2</b> /PART NO. <b>00</b>																					
<table border="1"> <tr> <td>           DD NOT SCALE DRAWING         </td> <td>           SHEET <b>1</b> OF <b>1</b> </td> </tr> </table>		DD NOT SCALE DRAWING	SHEET <b>1</b> OF <b>1</b>																			
DD NOT SCALE DRAWING	SHEET <b>1</b> OF <b>1</b>																					

REVISION RECORD