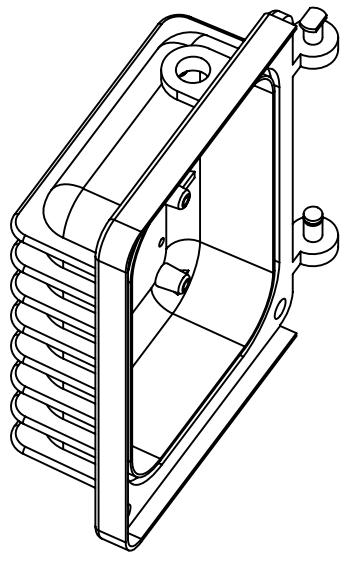
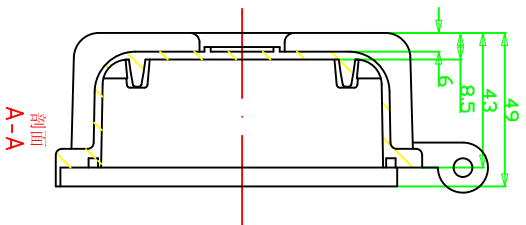
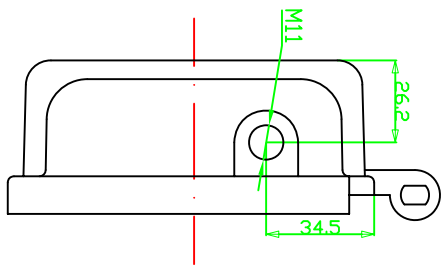
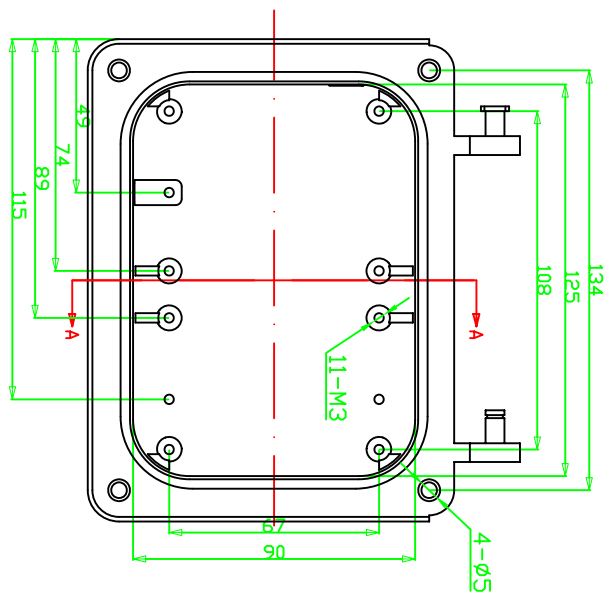


| REVISION RECORD | | | | |
|-----------------|-----|-------------|------|------|
| REV | ECD | DESCRIPTION | DRFT | CHKD |
| | | | | |



| TOLERANCES EXCEPT AS NOTED | | DETTACHED LISTS | |
|----------------------------|------------|-----------------------|------|
| MM | ± 0.3 | DATE | DATE |
| MM | .00 ± 0.02 | CHKD | DATE |
| MM | ± 0.1 | MFD | DATE |
| | | APPL | DATE |
| ANGLES ± 5° | | MATERIAL: AL | |
| FIRST ANGLE PROJECTION | | QTY: 1 | |
| SCALE: 1:2 | | FINISH: | |
| | | DRAWING NO: APP008-S | |
| | | /PART NO: | |
| | | DID NOT SCALE DRAWING | |
| | | SHEET X OF Y | |

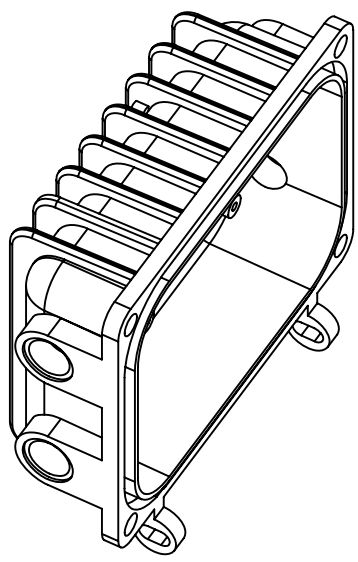
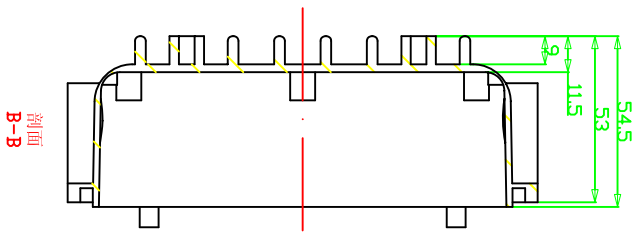
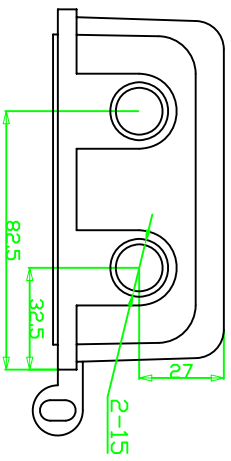
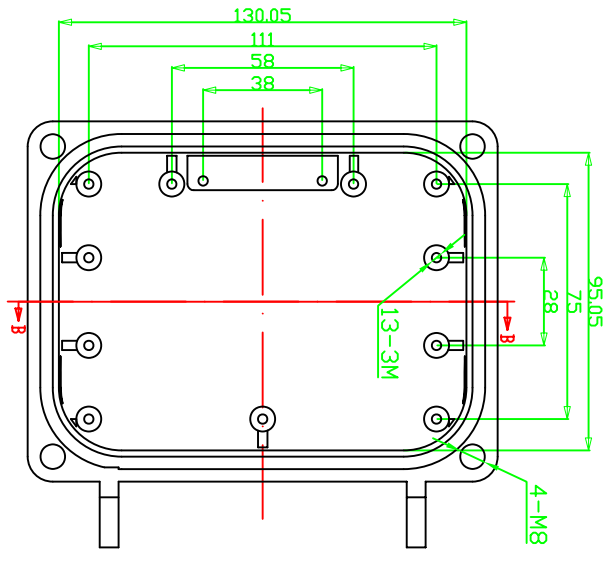
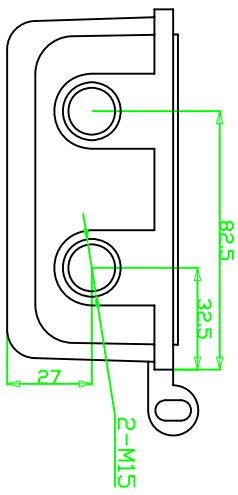
埃弗勒斯
EVEREST
WWW.EVERESTCASE.COM

TITLE
APP008-S

SIZE
A4

REV

| REVISION RECORD | | | | |
|-----------------|-----|-------------|------|------|
| REV | ECD | DESCRIPTION | DRFT | CHKD |
| | | | | |



| DETACHED LISTS | | DATE | DATE | DATE | DATE |
|--------------------------------|--|-------------------------------|------------------------------|--------------------------|------------|
| FIRST ANGLE PROJECTION | TOLERANCES EXCEPT AS NOTED MM .0 ± 0.03 .00 ± 0.02 .000 ± 0.01 | DRFTD CHKD MFD APPVL | DATE DATE DATE DATE | MATERIAL: AL | QTY: 1 |
| ANGLES ± 5° | FINISH: | SCALE: 1:2 | DRAWING NO: APP008-X | TITLE APP008-X | SIZE A4 |
| EVEREST www.EVERESTCASE.COM | DD NOT SCALE DRAWING | SHEET X | OF Y | REV | REV |