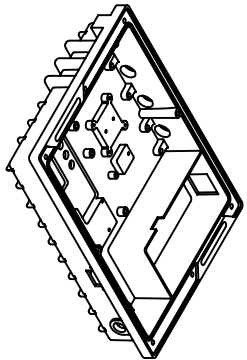
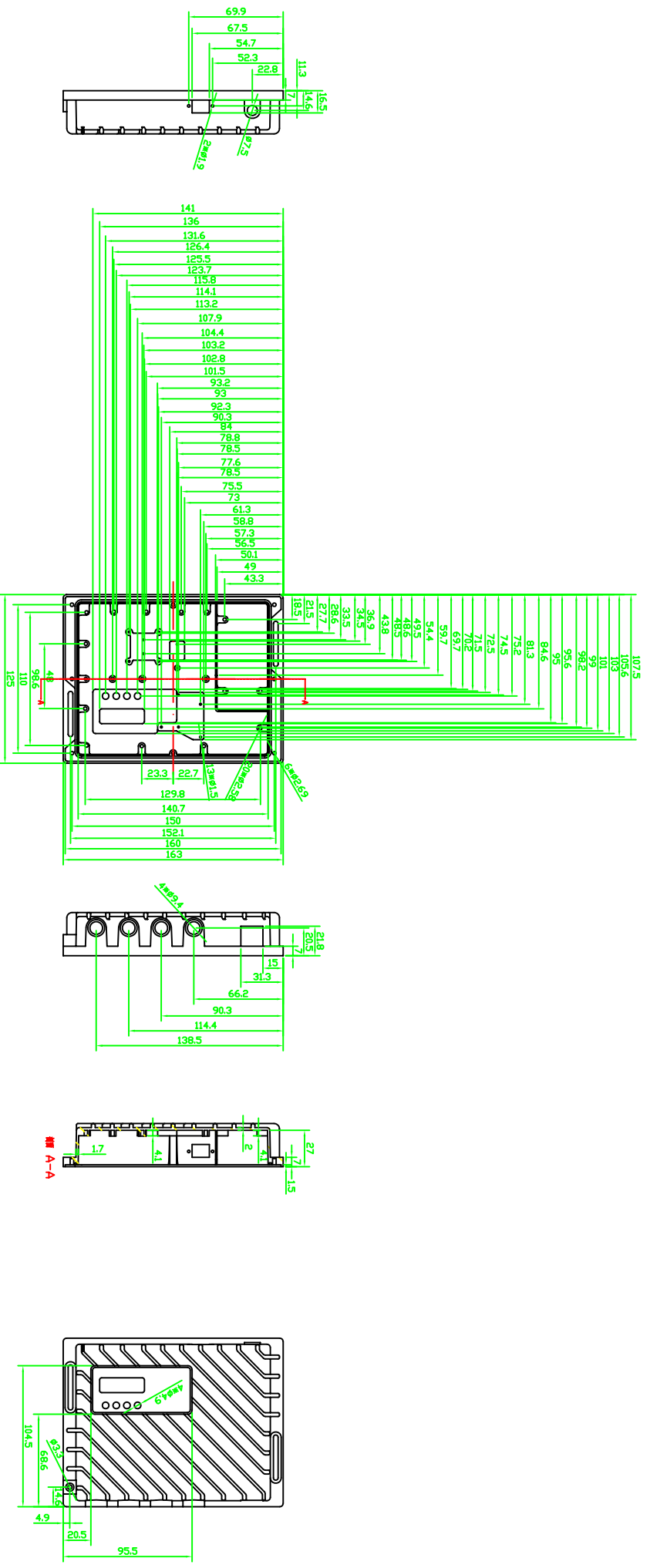


REVISION RECORD				
REV	ECD	DESCRIPTION	DRFT	CHKD

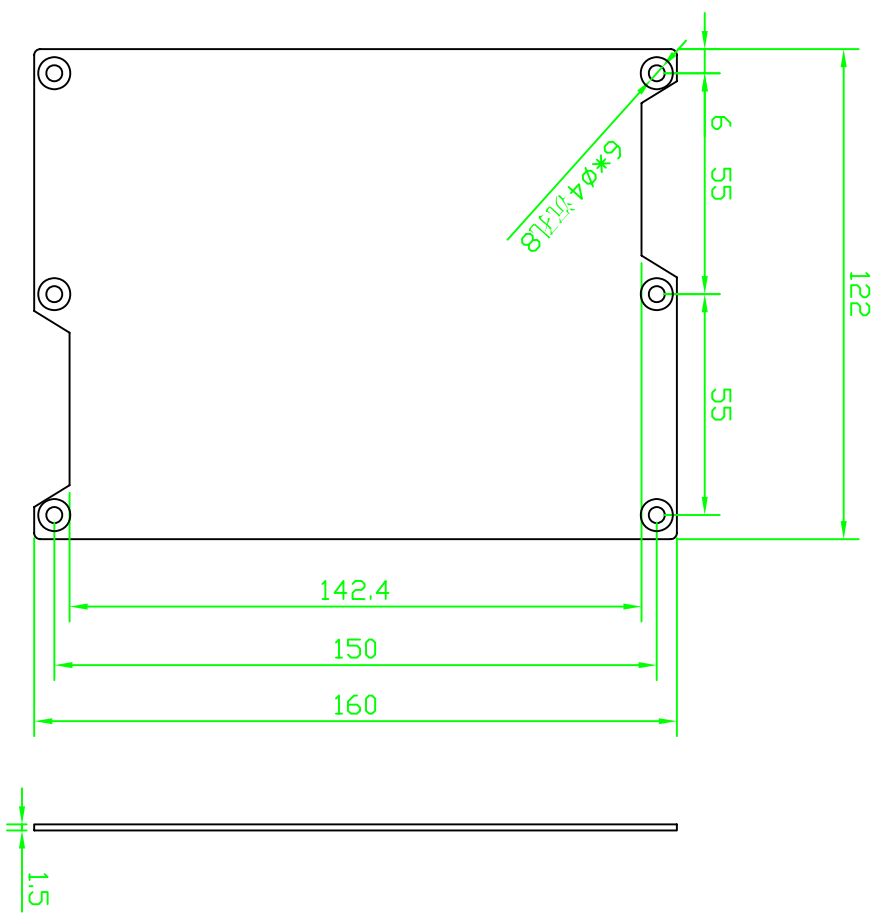


DETACHED LISTS		DATE	DATE
MM	MM	DATE	DATE
0.1 ± 0.3	0.0 ± 0.2	DATE	DATE
0.00 ± 0.1	±	DATE	DATE
ANGLES ± 5°		MATERIAL: AL	
FINISH:		QTY: 1	
SCALE: 1:3		DRAWING NO. AAP027-S	
FIRST ANGLE PROJECTION		/PART NO. 00	
		SIZE A4	
		REV	
		SHEET 1 OF 1	

埃弗勒斯
EVEREST
WWW.EVERESTCASE.COM

TITLE
AAP027-S

REVISION RECORD				
REV	ECD	DESCRIPTION	DRFT	CHKD



DETACHED LISTS		DATE	DATE	DATE	DATE
DRFTD	CHKD	DATE	DATE	DATE	DATE
MFD	APPVL	DATE	DATE	DATE	DATE
MATERIAL: AL		DATE	DATE	DATE	DATE
QTY: 1		DATE	DATE	DATE	DATE
FINISH:		DATE	DATE	DATE	DATE
SCALE: 1:3		DATE	DATE	DATE	DATE
FIRST ANGLE PROJECTION		DATE	DATE	DATE	DATE
ANGLES ± 5°		DATE	DATE	DATE	DATE
TOLERANCES EXCEPT AS NOTED		DATE	DATE	DATE	DATE
MM	±	DATE	DATE	DATE	DATE
0.1 ± 0.3	±	DATE	DATE	DATE	DATE
0.01 ± 0.02	±	DATE	DATE	DATE	DATE
0.001 ± 0.01	±	DATE	DATE	DATE	DATE

埃弗勒斯 EVEREST
 WWW.EVERESTCASE.COM
 TITLE: AAP027-X
 DRAWING NO: AAP027-X
 /PART NO: 00
 DD NOT SCALE DRAWING
 SHEET 1 OF 1