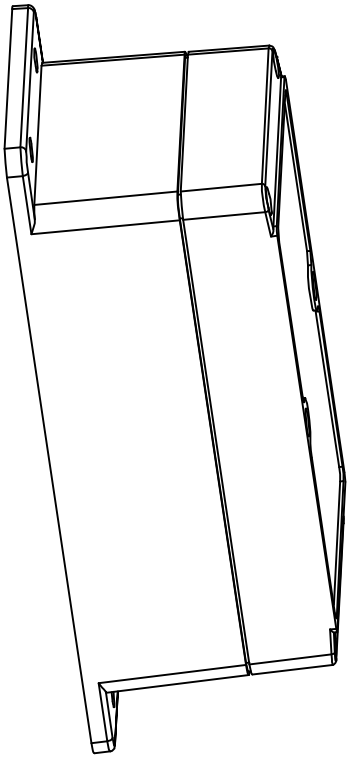
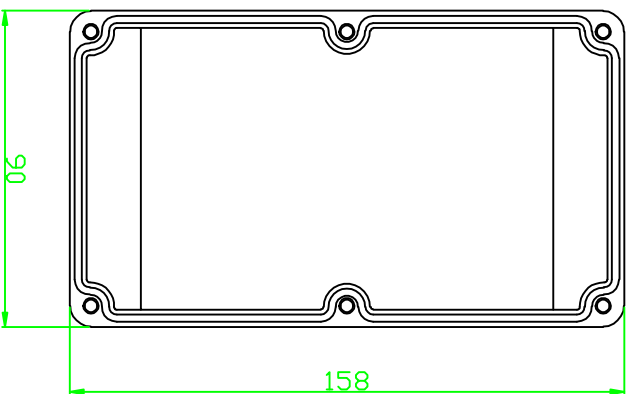
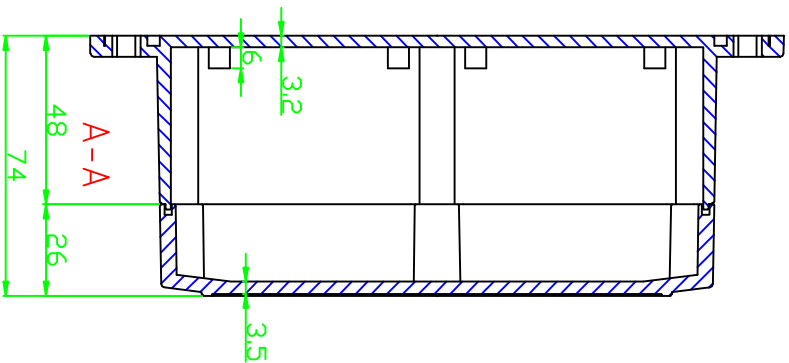
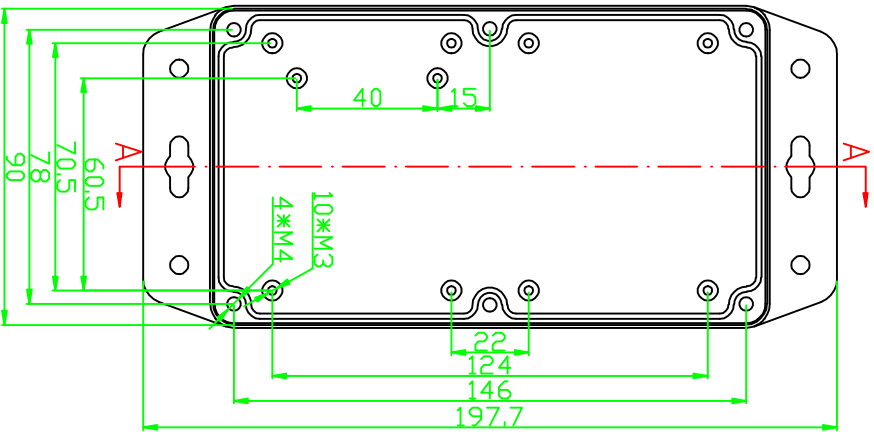


REVISION RECORD				
REV	ECD	DESCRIPTION	DRFT	CHKD



DETACHED LISTS		NAME		DATE	
 FIRST ANGLE PROJECTION	 TOLERANCES EXCEPT AS NOTED	DRAWN	Kent	10/21/2015	
ANGLES ± 5° 0 ± 0.3 .00 ± 0.2 .000 ± 0.1	CHECKED ENG APPR	MATERIAL: ABS QTY: 1			
FINISH:		TITLE: 埃弗勒斯 EVEREST PW061S WWW.EVERESTCASE.COM			
SCALE: 1:1		DRAWING NO: PW061S /PART NO: 00		SIZE: A4 REV:	
DD NDT SCALE DRAWING		SHEET 1		OF 1	