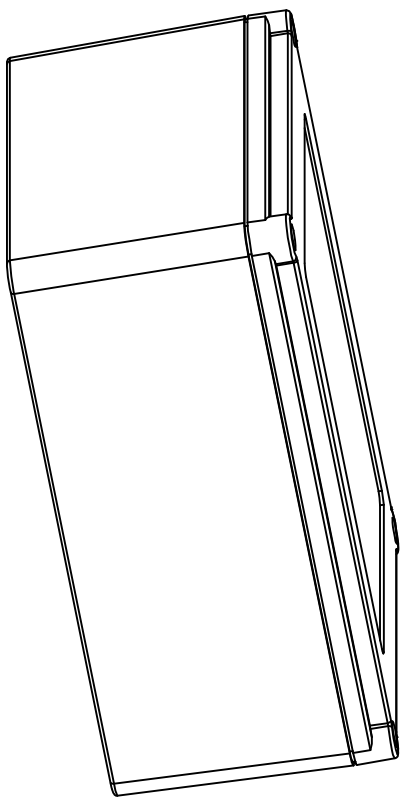
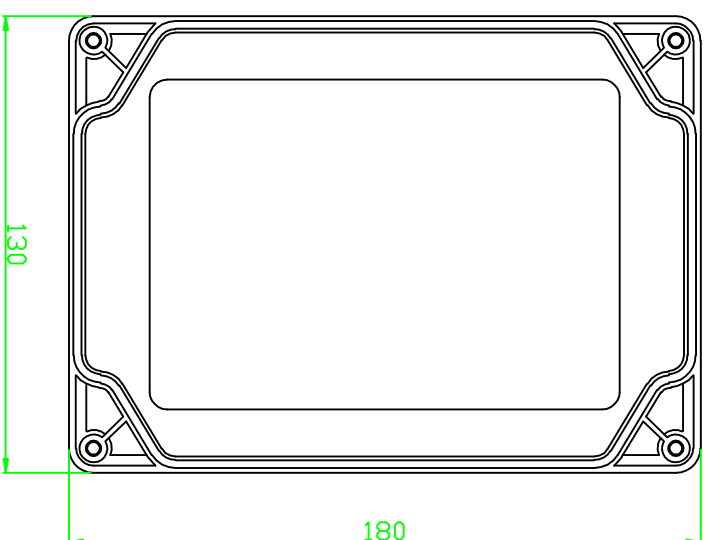
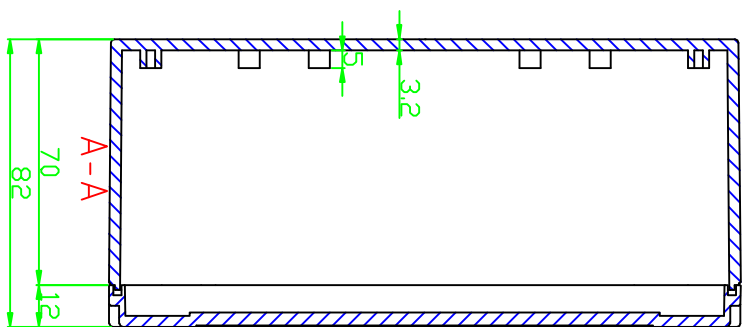
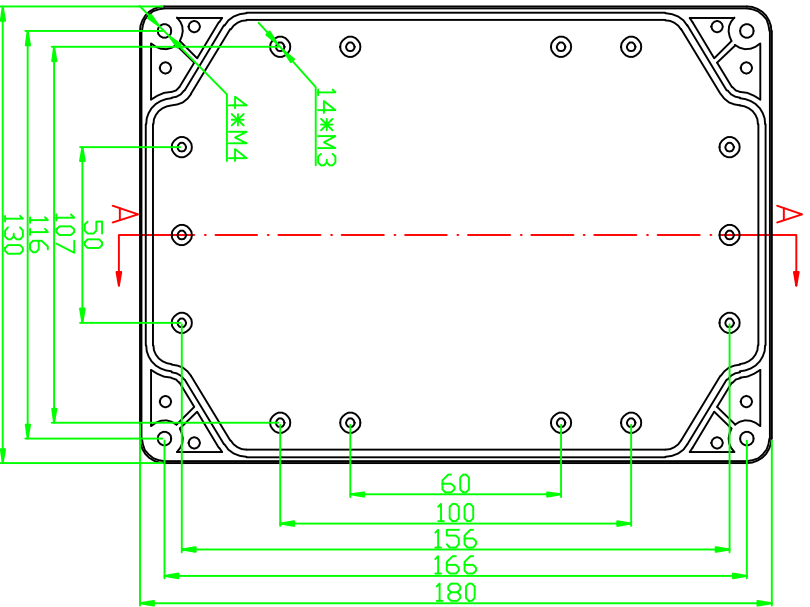


REVISION RECORD				
REV	ECD	DESCRIPTION	DRFT	CHKD



DETACHED LISTS		NAME		DATE	
TOLERANCES EXCEPT AS NOTED MM 0.00 ± 0.03 0.00 ± 0.1	DRAWN KENT	NAME KENT	DATE 10/21/2015	埃弗勒斯 EVEREST WWW.EVERESTCASE.COM	
ANGLES ± 5°	CHECKED ENG/AFRR	MATERIAL ABS	QT'Y 1	PW108S	
FINISH:	DRAWING NO. PW108S	TITLE	/PART NO. 00	SIZE A4	REV
FIRST ANGLE PROJECTION	SCALE: 1:1	IDO NDT SCALE DRAWING	SHEET 1	OF 1	REV