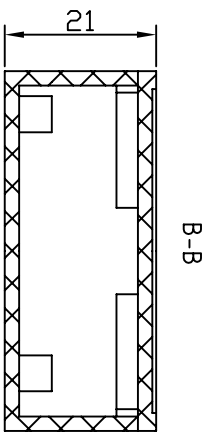
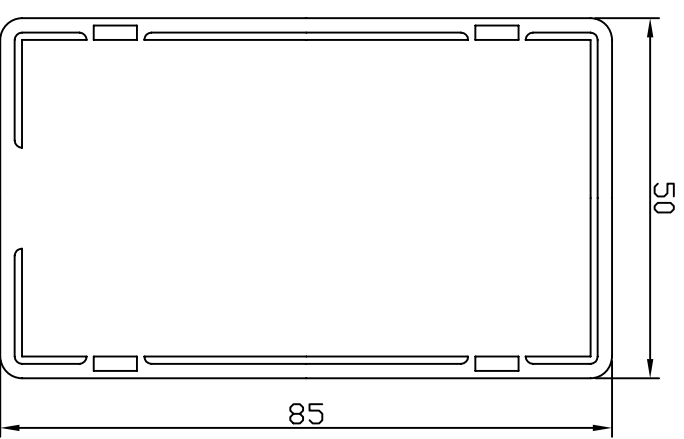
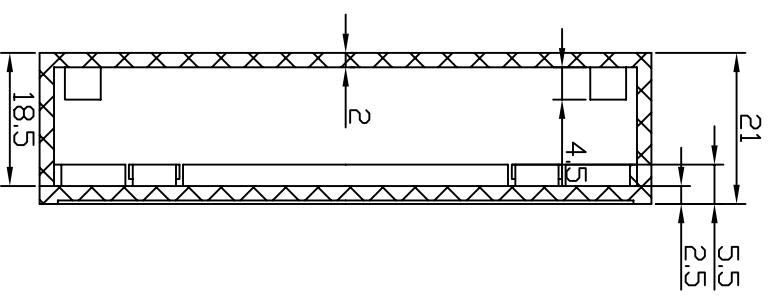
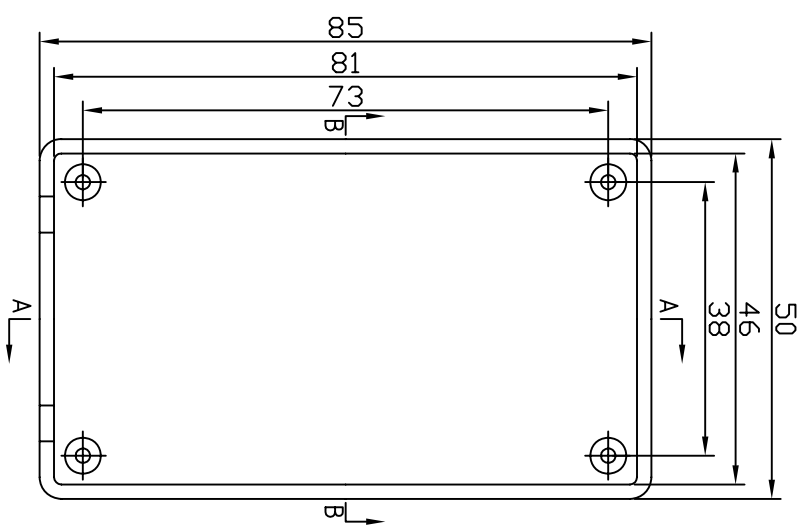


REVISION RECORD				
REV	ECD	DESCRIPTION	DRFT	CHKD



DETACHED LISTS			
 THIRD ANGLE PROJECTION	MM (INCH)	DRFTD CHKD	DATE DATE
ANGES ± 5°	TOLERANCES EXCEPT AS NOTED MM ± 0.3 .00 ± 0.02 0.00 ± 0.1	MFD APPLY	DATE DATE
MATERIAL: ABS	QT'Y: 1	DATE DATE	DATE DATE
FINISH:	TITLE PC002	DRAWING NO. PC002 /PART NO. 00	SIZE A4
SCALE: 1:1	EVEREST WWW.EVERESTCASE.COM	DD NOT SCALE DRAWING	REV A4 OF 1