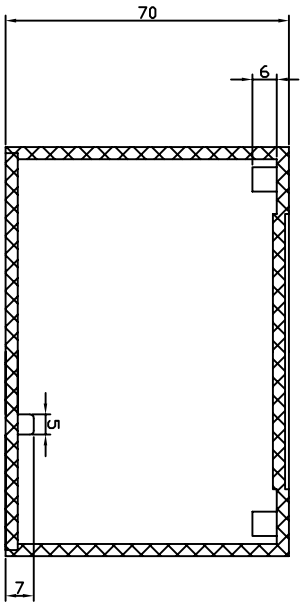
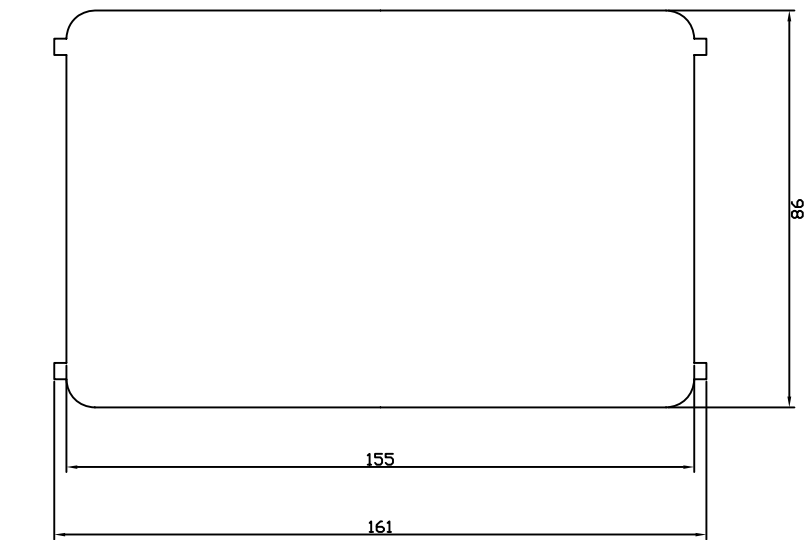
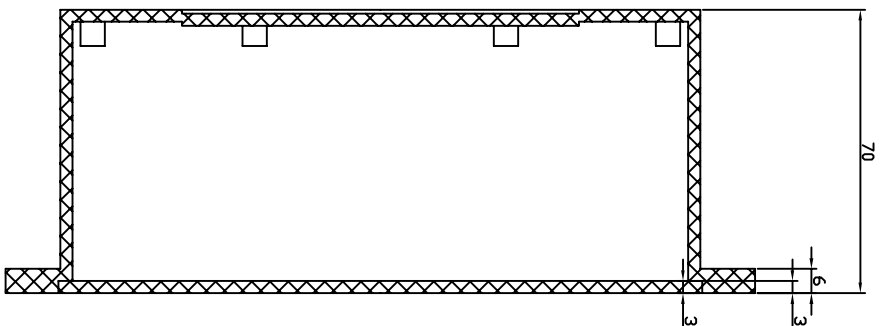
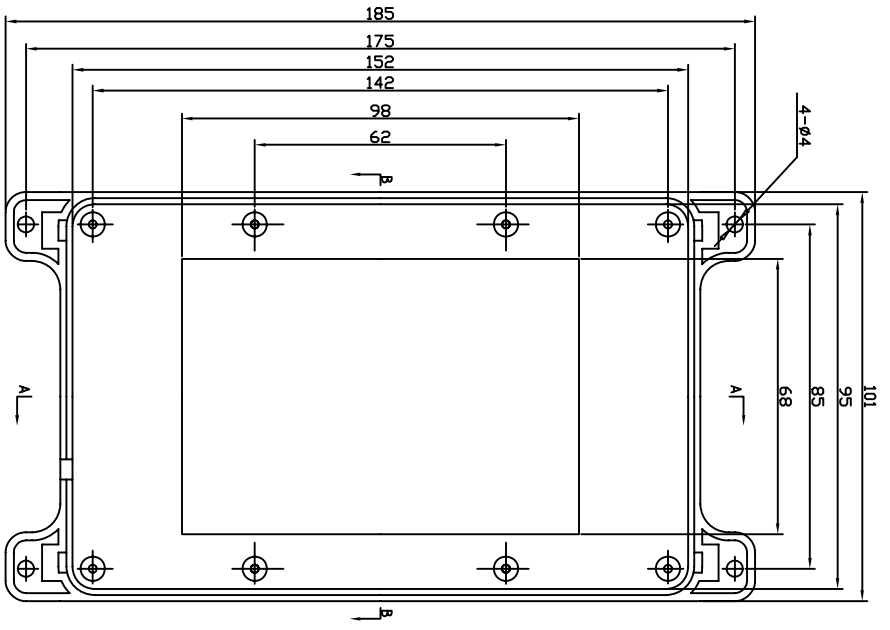


REVISION RECORD				
REV	ECD	DESCRIPTION	DRFT	CHKD



DETACHED LISTS			
 THIRD ANGLE PROJECTION	MM (INCH)	DRFT	DATE
	TOLERANCES EXCEPT AS NOTED	CHKD	DATE
MM	±	APPVL	DATE
0 ± 0.3	±	MATERIAL: ABS	DATE
.00 ± 0.02	±	QTY: 1	DATE
0.00 ± 0.1	±	FINISH:	DATE
ANGLES ± 5°	±	SCALE: 1:1	DATE
EVEREST		DRAWING NO. PC041	SIZE A4
埃弗勒斯		/PART NO. 00	REV
WWW.EVERESTCASE.COM		DID NOT SCALE DRAWING	SHEET 1 OF 1
TITLE		PC041	REV