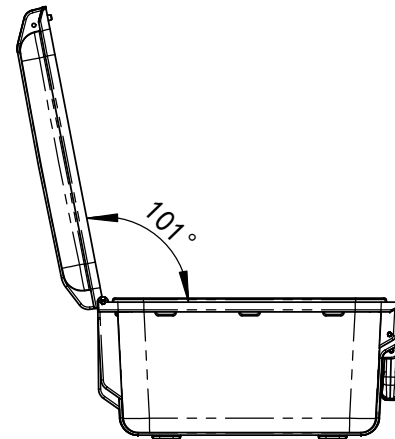
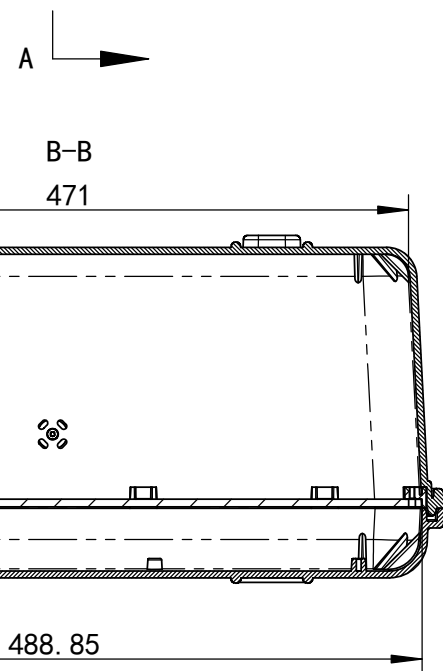
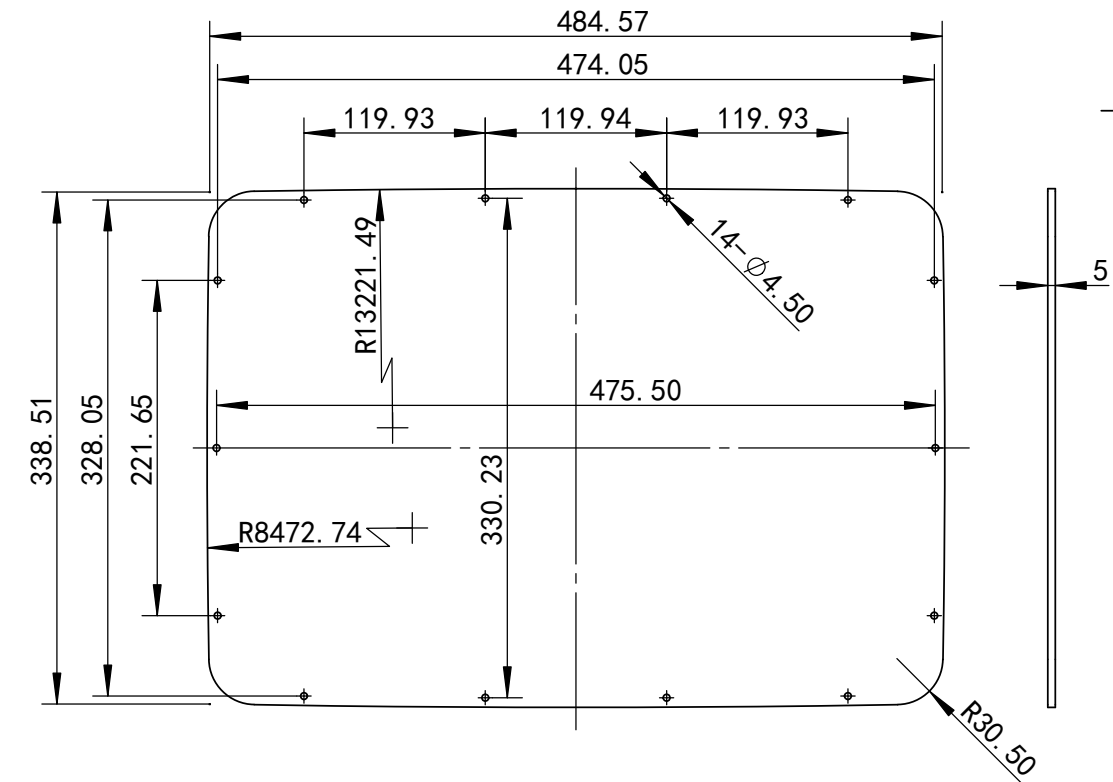
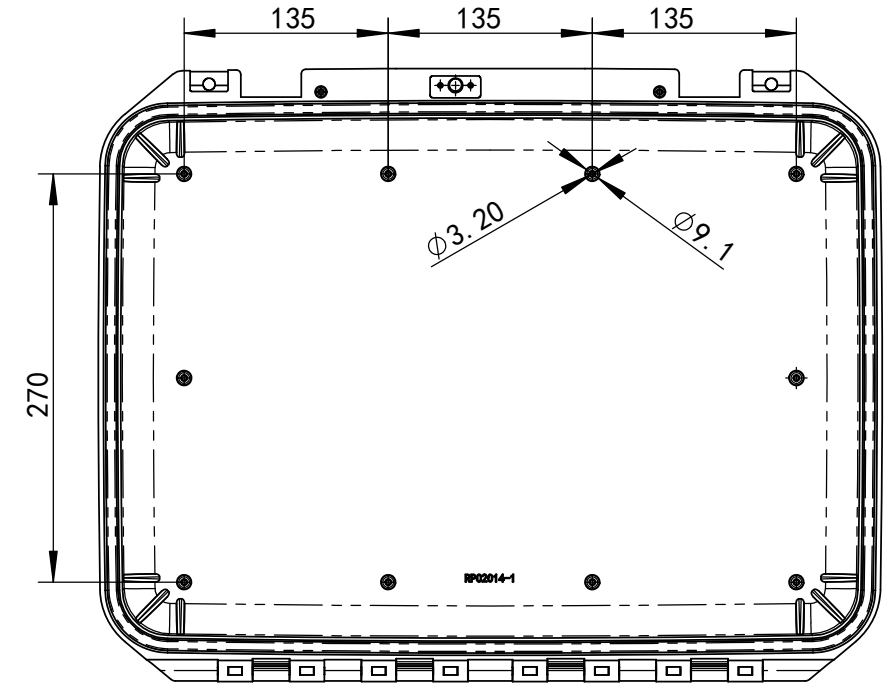
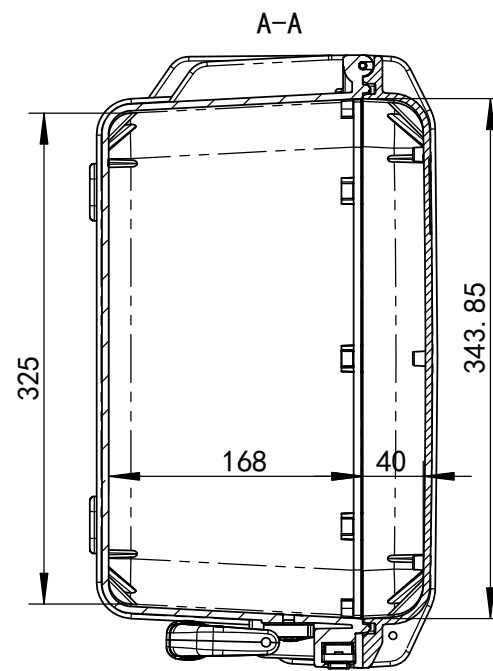
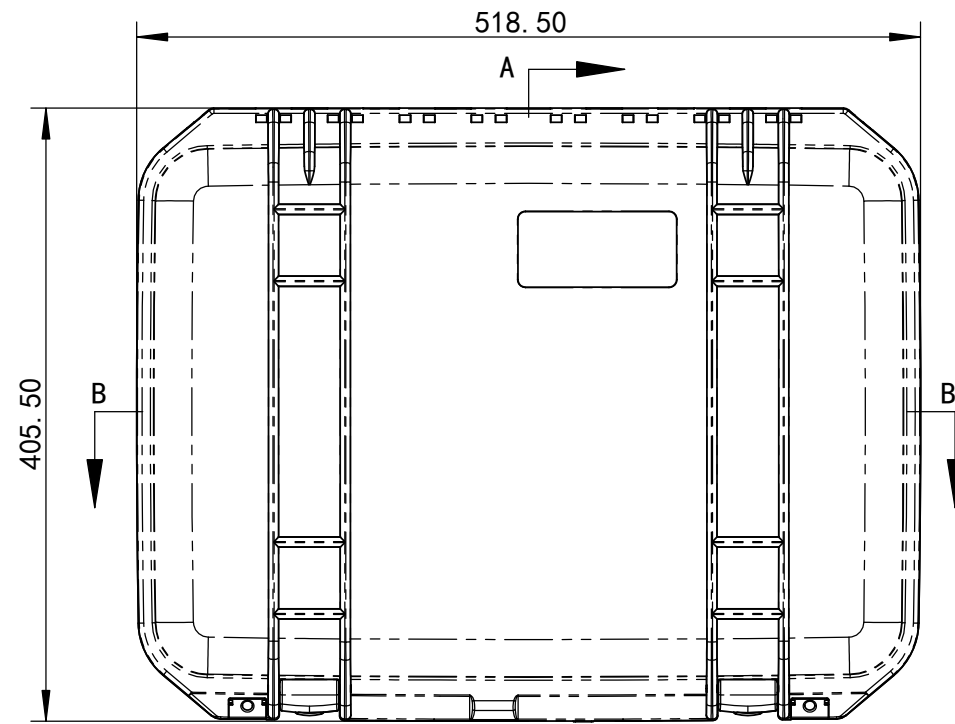
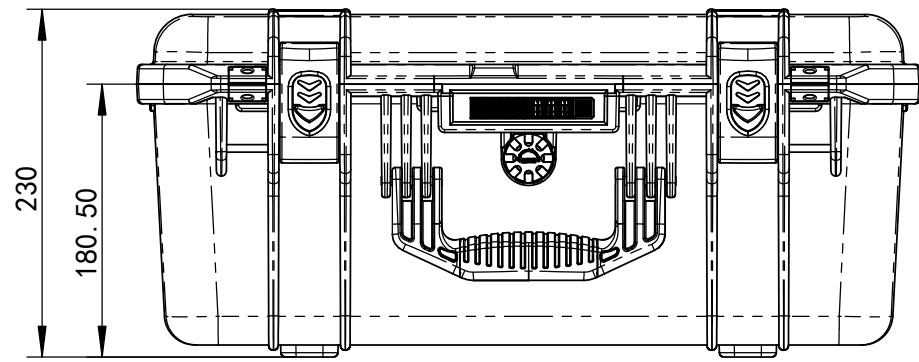

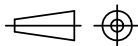


BASIC SIZE	0~3	>3~6	>6~10	>10~18	>18~30	>30~50	>50~80	>80~120	>120~180	>180~250
DIMS TOLERANCE	±0.14	±0.18	±0.22	±0.27	±0.33	±0.39	±0.46	±0.54	±0.63	±0.72



THE MACHINING TOLERANCES		NAME	DATE	 <b>DRX.EVEREST</b> WWW.EVERESTCASE.COM	
UNSPECIFIED TOLERANCES FOLLOW GB/1804-1992 IT13		DRAWN	2017/9/1		
FOAM TOLERANCES	±3mm	CHECKED		TITLE	<b>RHINO CASE</b>
THE ANGLE TOLERANCES	±1°	ENG APPR		MATERIAL	<b>PP</b>
FIRST ANGLE PROJECTION		QT'Y : 1		PART NO	<b>RPC2023</b>
	SCALE	1:1	UNIT	mm	DO NOT SCALE DRAWING
					SHEET OF1 2