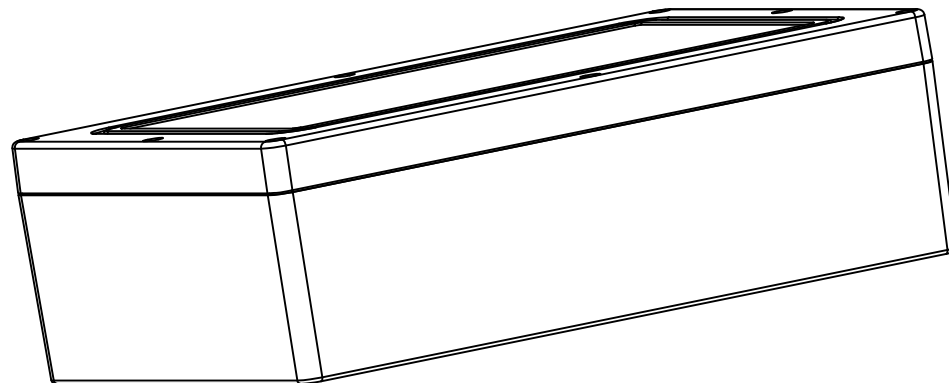
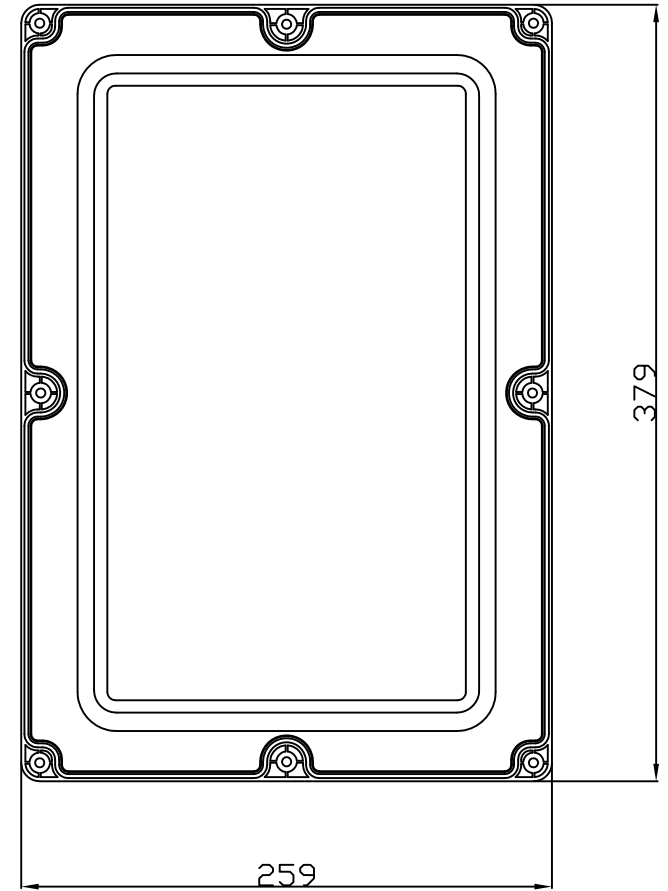
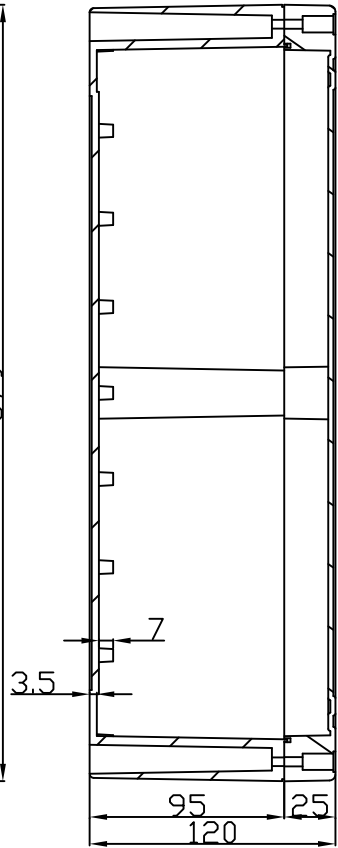
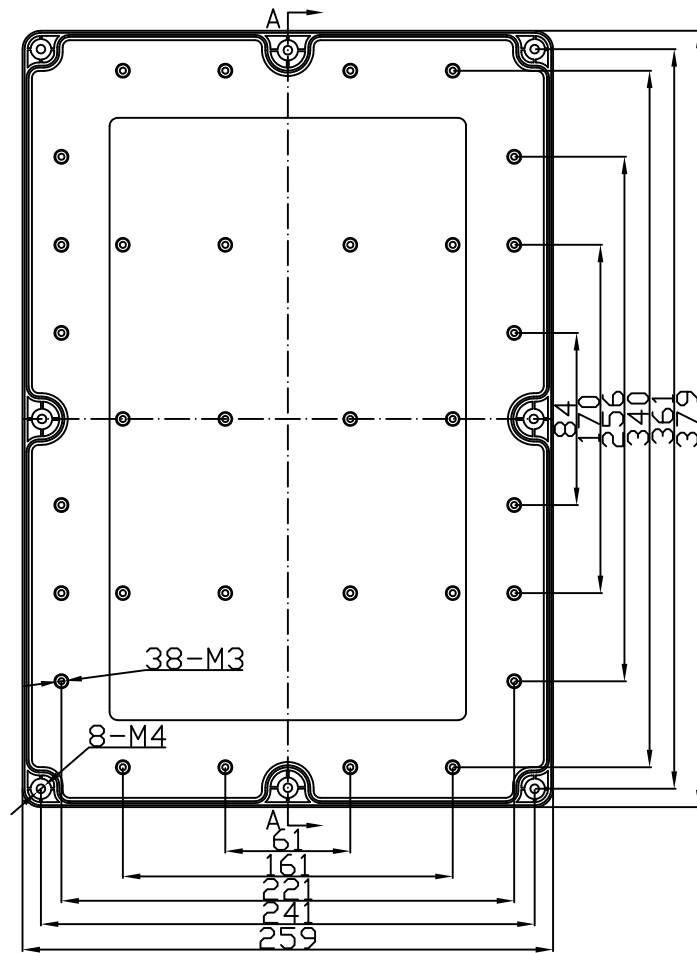
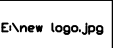



REVISION RECORD				
REV	ECD	DESCRIPTION	DRFT	CHKD



DETACHED LISTS	$\leftarrow$ MM (INCH) $\rightarrow$		DRAWN	NAME	DATE	 <b>EVEREST</b> WWW.EVERESTCASE.COM	TITLE <b>PW037</b>	
	TOLERANCES EXCEPT AS NOTED		CHECKED	Aaron	02/06/2015			
	MM	±	ENG APPR.					
	.0 ± 0.3	±	MATERIAL :	AL				
.00 ± 0.2	±	QT'Y :			DRAWING NO. PW037	SIZE	REV	
.000 ± 0.1	±	FINISH :			/PART NO. 00	A4		
ANGLES ± 5°		SCALE : 1:1	DO NOT SCALE DRAWING		SHEET 1		OF 1	
 FIRST ANGLE PROJECTION								