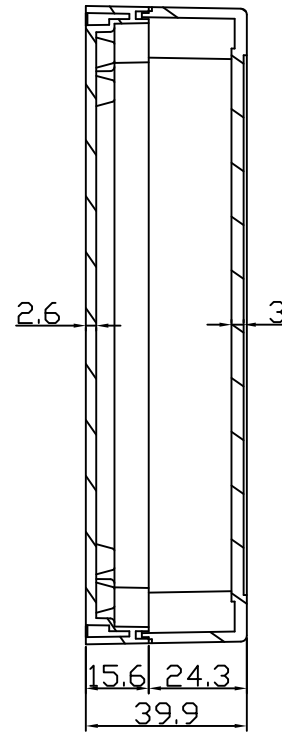
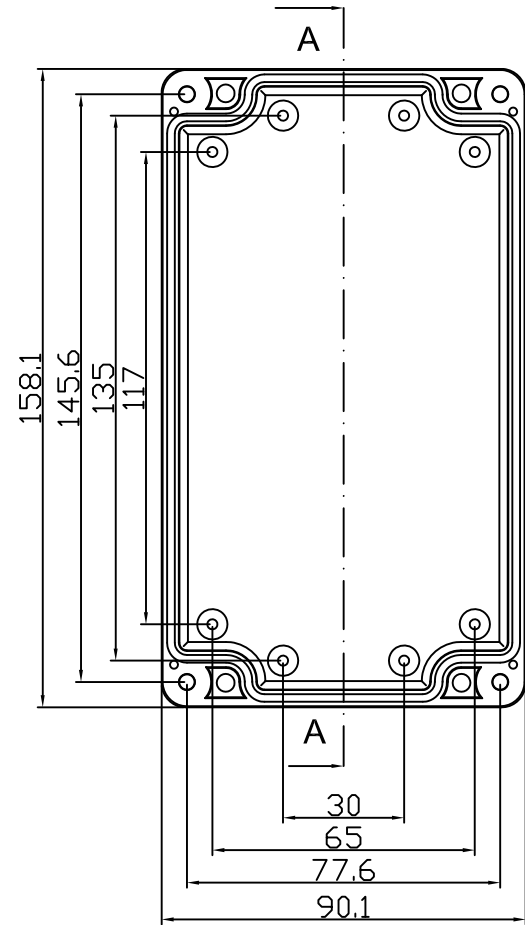
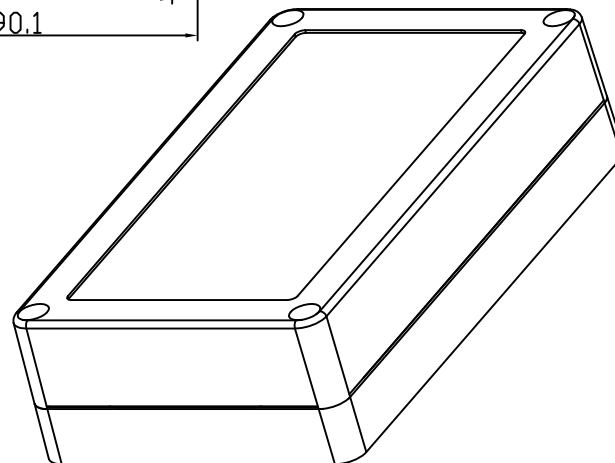
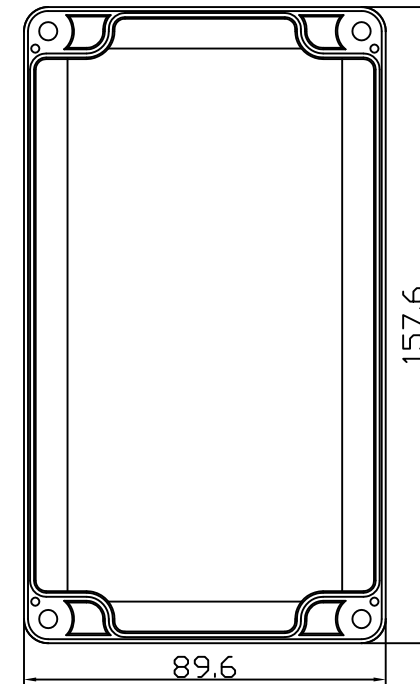


REVISION RECORD				
REV	ECD	DESCRIPTION	DRFT	CHKD



A-A



DETACHED LISTS			DRAWN	NAME	DATE		EVEREST WWW.EVERESTCASE.COM	
	TOLERANCES EXCEPT AS NOTED		CHECKED	Kelvin	01/15/2015			
	MM	±	ENG APPR.					
	.0 ± 0.3	±	MATERIAL : ABS		TITLE			
.00 ± 0.2	±	QT'Y :		DRAWING NO. PW084		SIZE	REV	
.000 ± 0.1	±	FINISH:		/PART NO. 00		A4		
ANGLES ± 5°		SCALE : 1:1		DO NOT SCALE DRAWING		SHEET 1	OF 1	