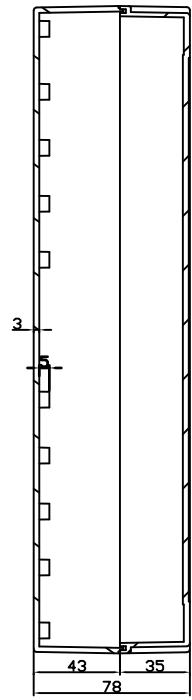
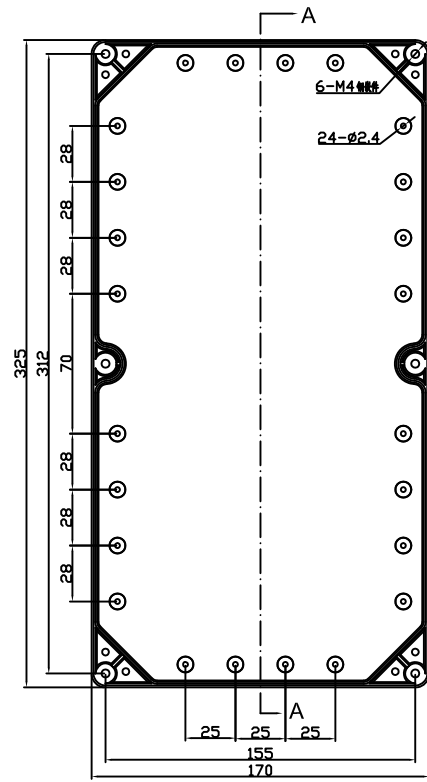
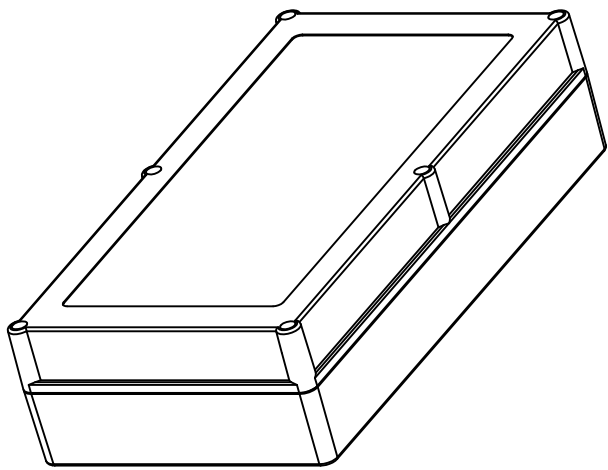
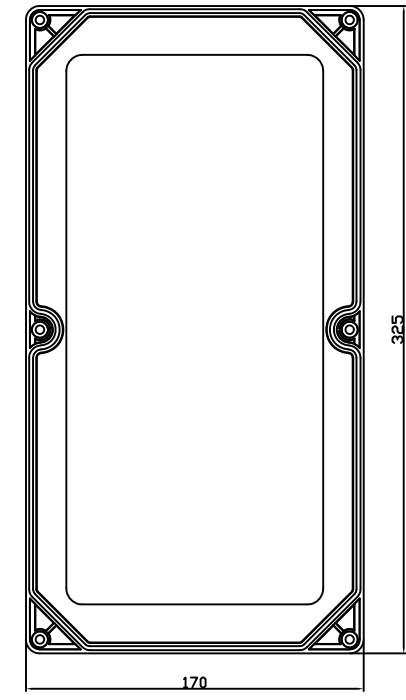


REVISION RECORD				
REV	ECD	DESCRIPTION	DRFT	CHKD



A-A



DETACHED LISTS			DRAWN	NAME	DATE	 <b>EVEREST</b> WWW.EVERESTCASE.COM	TITLE	
	TOLERANCES EXCEPT AS NOTED		CHECKED	Kelvin	01/15/2015		PW127	
	MM	±	ENG APPR.				DRAWING NO. PW127	
	.0 ± 0.3	±					/PART NO. 00	
.00 ± 0.2	±	MATERIAL : ABS			DRAWING NO. PW127		SIZE	REV
.000 ± 0.1	±	QT'Y :			/PART NO. 00		A4	
ANGLES ± 5°		FINISH:			DRAWING NO. PW127		DO NOT SCALE DRAWING	
		SCALE : 1:1			/PART NO. 00		SHEET 1 OF 1	