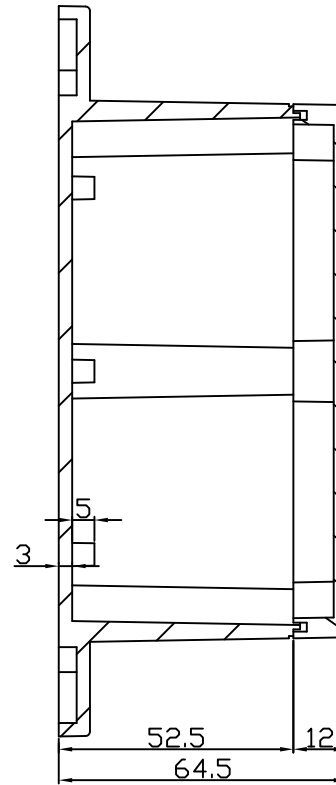
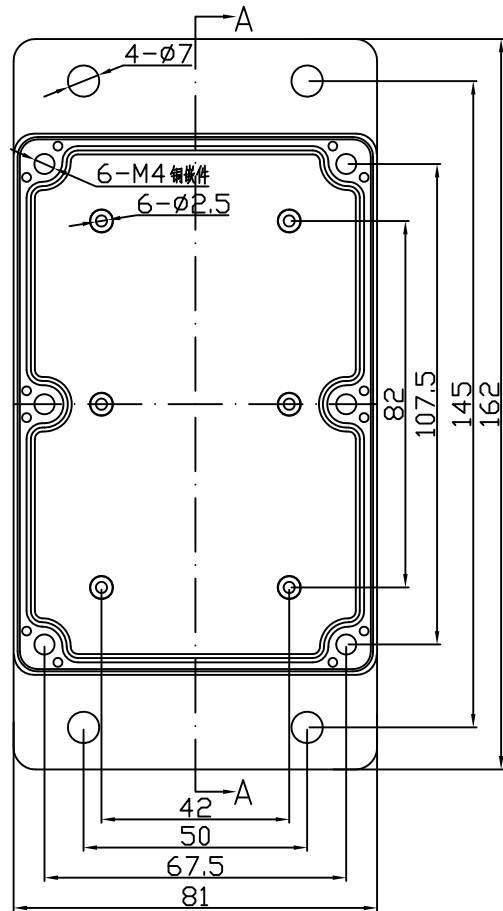
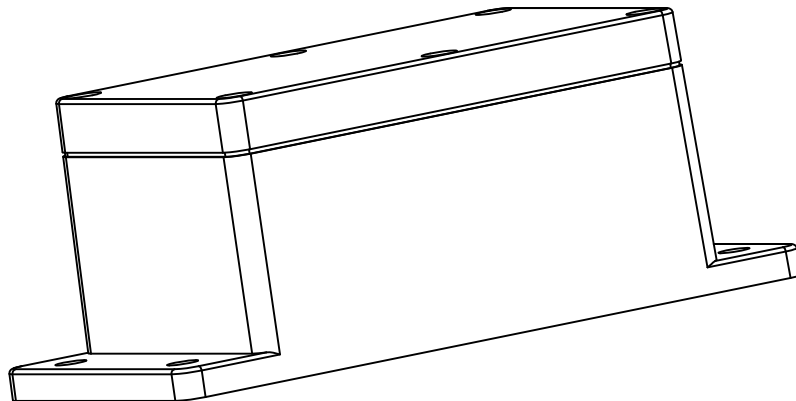
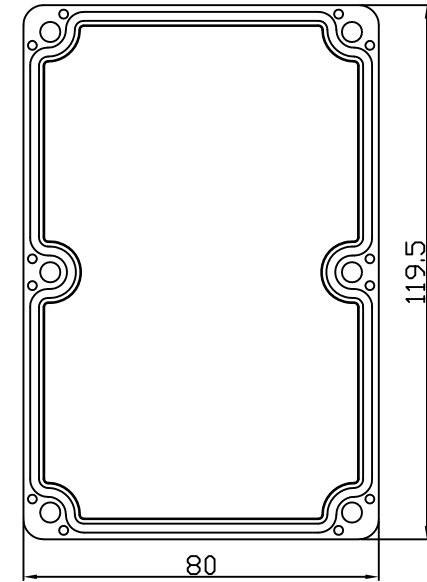


REVISION RECORD				
REV	ECD	DESCRIPTION	DRFT	CHKD



A-A



MM (INCH)		NAME	DATE	EVEREST		
TOLERANCES EXCEPT AS NOTED		DRAWN	Aaron	01/28/2015	E:\new logo.jpg	
		CHECKED				
		ENG APPR.			TITLE	
		MATERIAL : ABS				
ANGLES $\pm 5^\circ$		QT'Y :			DRAWING NO. P139	
FIRST ANGLE PROJECTION		FINISH:				SIZE
		SCALE : 1:1			/PART NO. 00	REV
DO NOT SCALE DRAWING				SHEET 1	OF 1	