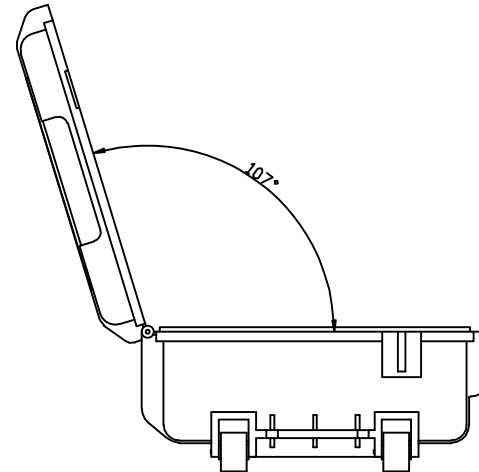
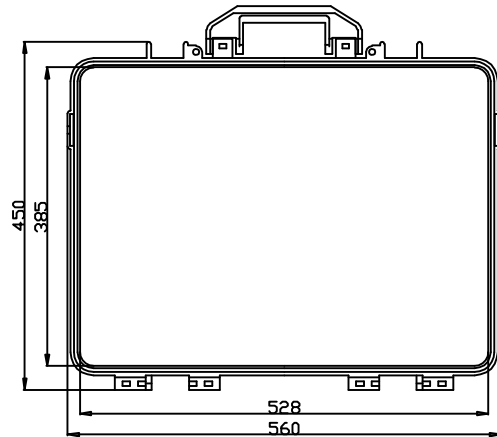
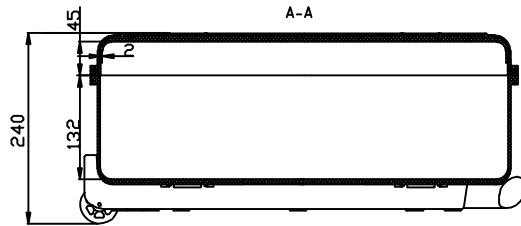
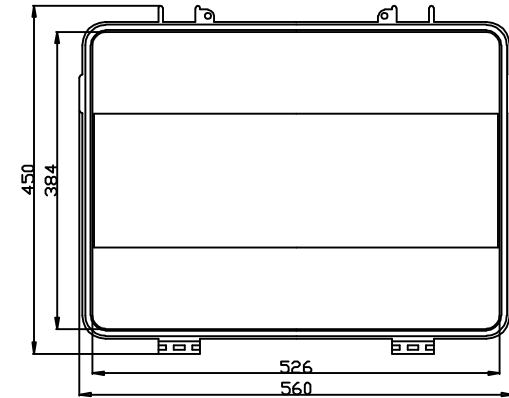
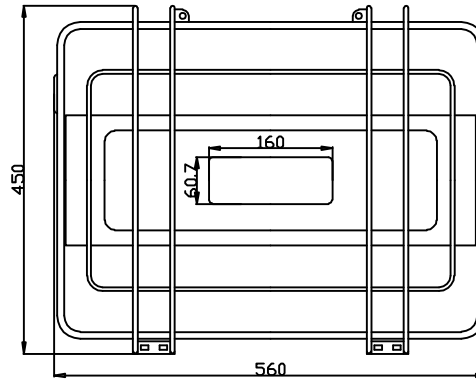
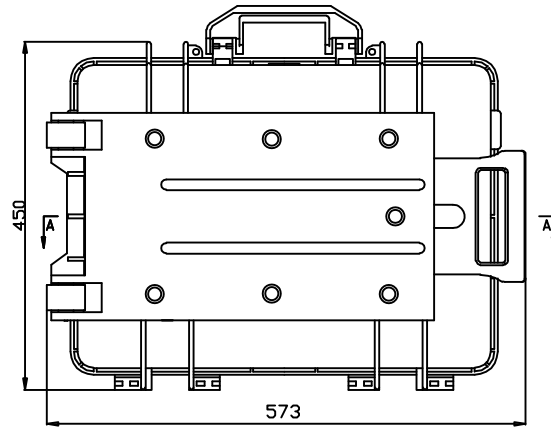


REVISION RECORD				
REV	ECD	DESCRIPTION	DRFT	CHKD



DETACHED LISTS			DFTD	DATE	 WWW.EVERESTCASE.COM
	TOLERANCES EXCEPT AS NOTED		CHKD	DATE	
	MM	±	MFD	DATE	
	.0 ± 0.3	±	APPVL	DATE	
.00 ± 0.2	±	MATERIAL : ABS		TITLE	
.000 ± 0.1	±	QT'Y :		EPC018B	
ANGLES ± 5°		FINISH:		DRAWING NO. EPC018B	SIZE
		SCALE : 1:1		/PART NO. 00	A4
THIRD ANGLE PROJECTION		SCALE : 1:1		DD NOT SCALE DRAWING	REV
				SHEET 1	OF 1