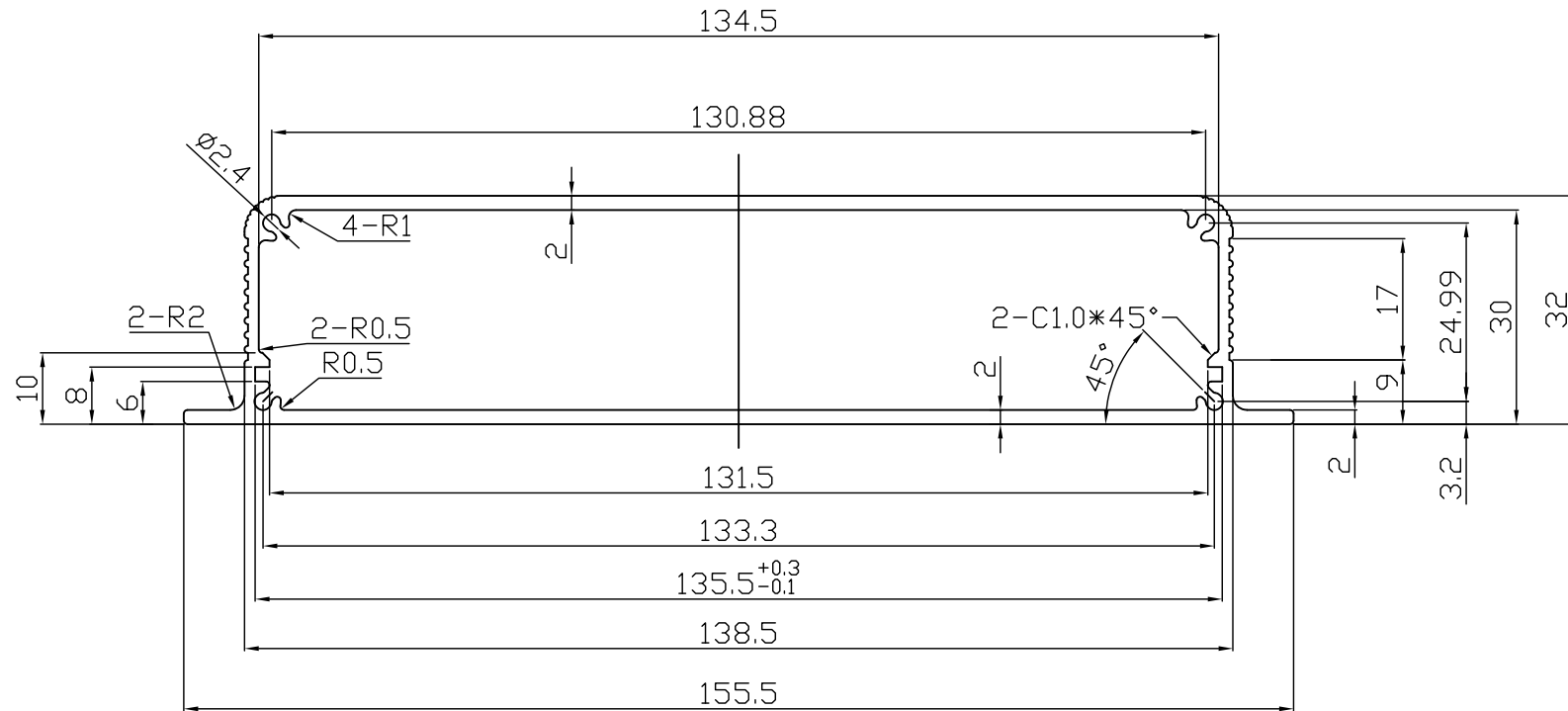



REVISION RECORD				
REV	ECD	DESCRIPTION	DRFT	CHKD



DETACHED LISTS	MM (INCH)	DFTD	DATE	 WWW.EVERESTCASE.COM	
	TOLERANCES EXCEPT AS NOTED	CHKD	DATE		
	MM	MFD	DATE		
	.0 ± 0.3 ±	APPVL	DATE		
.00 ± 0.2 ±	MATERIAL :	AL	TITLE	AEH142	
.000 ± 0.1 ±	ANGLES ± 5°	QT'Y :	DRAWING NO. AEH142		SIZE
THIRD ANGLE PROJECTION	FINISH:	SCALE : 1:1	/PART NO. 00	A4	REV
	DO NOT SCALE DRAWING	SHEET 1	OF 1		